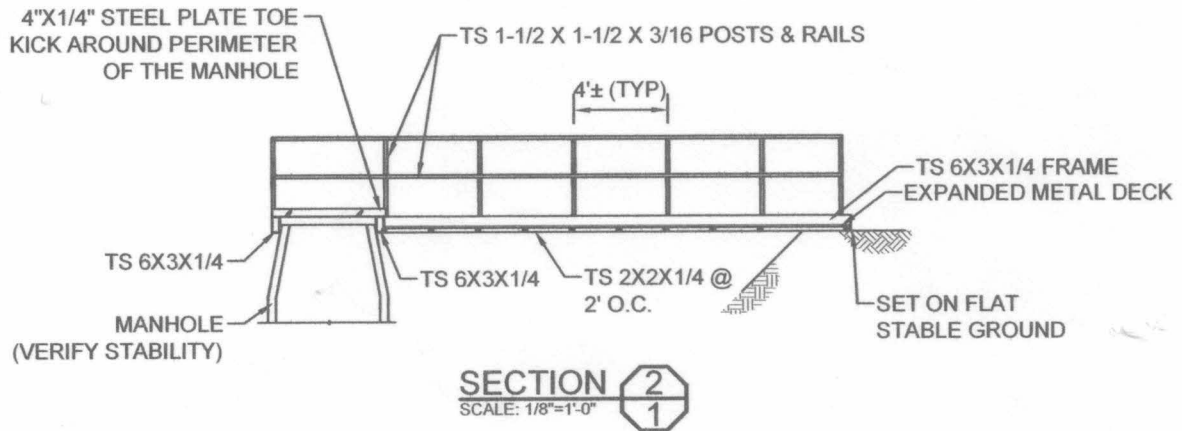
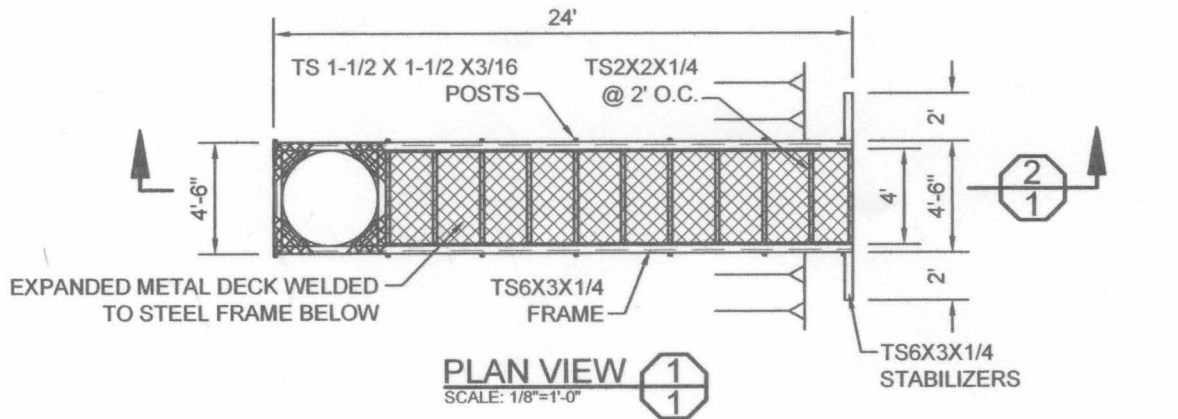


TABULATED DATA SHEET - 24' ACCESS BRIDGE FOR MANHOLE

ALLOWABLE LOADING (PSF): 100

MAXIMUM TOTAL LOAD (LBS): 1500



NOTES:

1. ACCESS BRIDGE SHALL BE PLACED ON STABLE GROUND AND ON TOP OF STABLE MANHOLE. CONTRACTOR TO VERIFY THAT BOTH THE GROUND AND MANHOLE ARE STABLE.
2. WORKERS ARE NOT ALLOWED ON THE ACCESS BRIDGE PRIOR TO IT BEING PLACED PROPERLY.
3. PROPERLY SIZED COMPONENTS AND EQUIPMENT SHALL BE USED FOR MOVING AND PLACING THIS ACCESS BRIDGE.
4. NO WORKERS ALLOWED IN THE SWING RANGE OF THE ACCESS BRIDGE AS IT IS BEING TRANSPORTED AND SET.
5. WORKERS SHALL BE AWARE OF AND ADHERE TO ALL ACCESS, EGRESS AND ANY RELATED OSHA REQUIREMENTS RELATING TO WORKING INSIDE CONFINED SPACES AND MANHOLES.
6. REPAIRS OR MODIFICATIONS TO THIS SHIELD MUST BE APPROVED BY THE MANUFACTURER IN WRITING.

24' ACCESS BRIDGE FOR MANHOLE

**SACRAMENTO SHORING
SUPPLY, INC.**

P.O. BOX 2912
CARMICHAEL, CA 95609

PH: (916) 920-9143 FAX: (916) 920-3305

HARTMAN
Civil Engineering, Inc.

7484 Mitchell Drive Office: (707) 763-2862
Rohnert Park, CA 94928 Fax: (707) 773-2953

DATE: 06/26/06 SHEET: 1 OF 1 JOB#: 1085-9/P1

